

Features

- ★ Precise tolerance and stability
- ★ Ultra low height
- ★ 4 Pads

Applications

- ★ Cellular telephones
- ★ Cordless telephones
- ★ Facsimile
- ★ PHS
- ★ Pagers



Specifications (Characteristics)

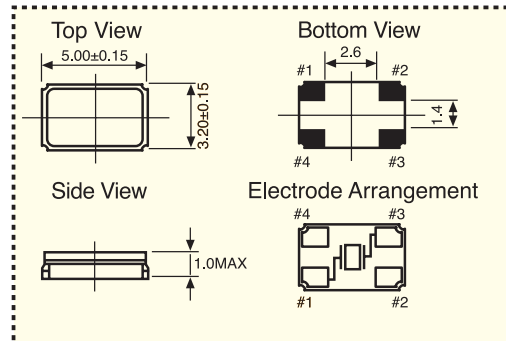
Item	Symbol	Specifications
Frequency Range	f	12.00~48.00MHz
Vibration Mode		AT Fund.
Frequency Tolerance at 25°C	$\Delta f/f$	±10 ppm ±20 ppm ±30 ppm ★
Frequency Stability in Operating Temp. Range		±10 ppm ±30 ppm (-10°C ~ +60°C) ★
Load Capacitance	CL	10pF 12pF 16pF or series
Operating Temp. Range	Topr	-10°C ~ +60°C ★ -30°C ~ +85°C
Storage Temp. Range	Tstg	-40°C ~ +90°C
Equivalent Series Resistance(ESR)	Rs	See Table 1
Drive Level	PWR	10uW 100uW
Aging	fa	± 1,3 ppm /Year (Max)
Packing		Tape and Reel Packages 1,000 pcs per reel 10,000 pcs per export carton

★ Commonly Used

Part Number and Ordering

Part Number Code	Holder Type + Frequency + Mode of Vibration + Tolerance/Stability + RS + CL
Ordering Code	Same as Above
Example	SX5032-16M-AF-10/10-40Ω-16P

Dimension (Unit: mm)



Recommended soldering Pattern (Unit: mm)

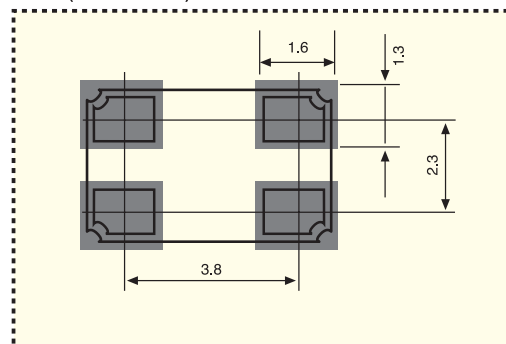


Table 1

Frequency Range (MHz)	ESR Max (Ω)	Mode
12.00~13.999	80	Fund.
14.00~19.999	60	Fund.
20.00~29.999	50	Fund.
30.00~48MHz	40	Fund.